

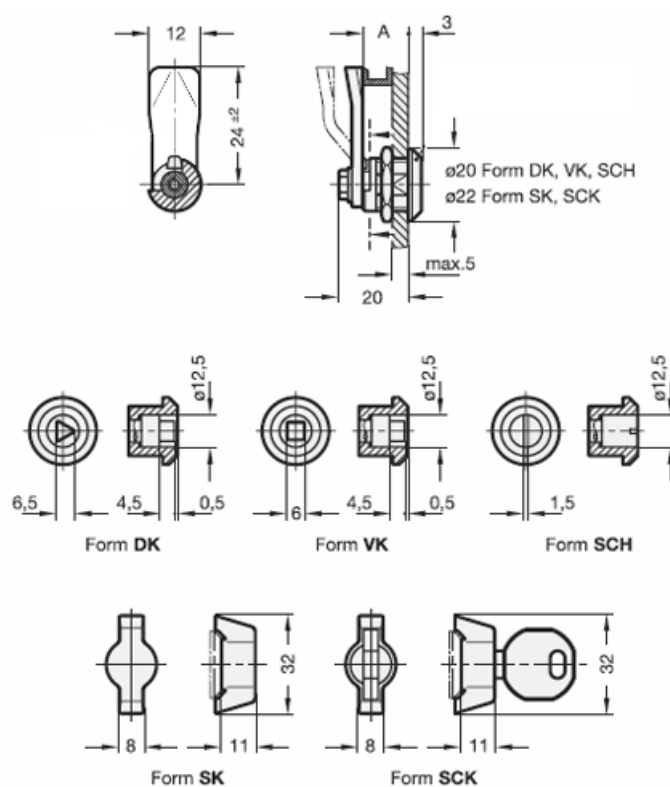
# Data Sheet



Article number: 201590019

Description: E+G Mini latch  
GN 115.6-VK-19,5

## Measures



A = 19.5